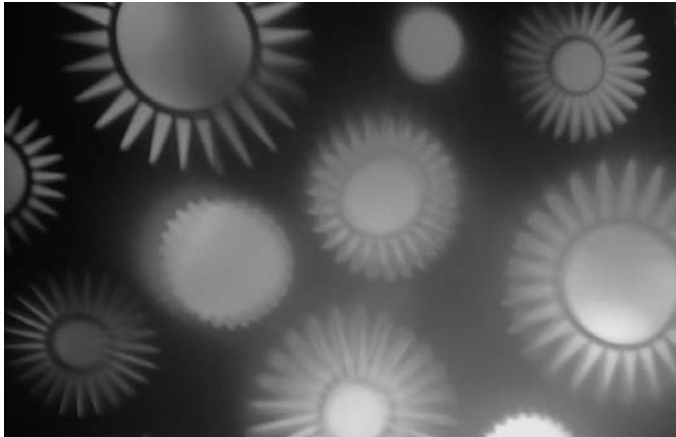


SX4[®] DISC TRAY SPECIFICATIONS

Catalog # TS6230



- Excellent choice for display, retail, theatrical or special event applications
- Slides into SX4[®] Case mounted in ETC Source Four[™]
- DISC/FX patterns available off-the-shelf or custom design
- Can be DMX operated or used with built-in preprogrammed sequences

The SX4[®] Disc Tray is designed to fit into the SX4[®] Case which is attached to an ETC Source Four[™] fixed focus ellipsoidal spotlight (see SX4[®] Case Specifications).

The SX4[®] Disc Tray has been used for special events, theme parks, and live events to create moving effects. By using off-the-shelf designs from the GAMPRODUCTS catalog or a custom disc to meet special requirements, it is a reliable, efficient and easy to use projection device. It can be operated remotely using DMX control signal, or with built-in automatic sequences that operate when the unit is powered.

Item #	Description
TS6130	SX4 [®] Disc Tray 120 Volt (With SX4 [®] case)
TS6132	SX4 [®] Disc Tray 230 Volt (With SX4 [®] case)
TS6230	SX4 [®] Disc Tray (no case)

Add FS to catalog number for shutters.

Ex: SX4[®] with 230 Volt Disc Tray **TS6132FS**

Power supply is required in both stand alone and DMX operation.
 DMX cable and power cables supplied by others. Power supply options are as follows:

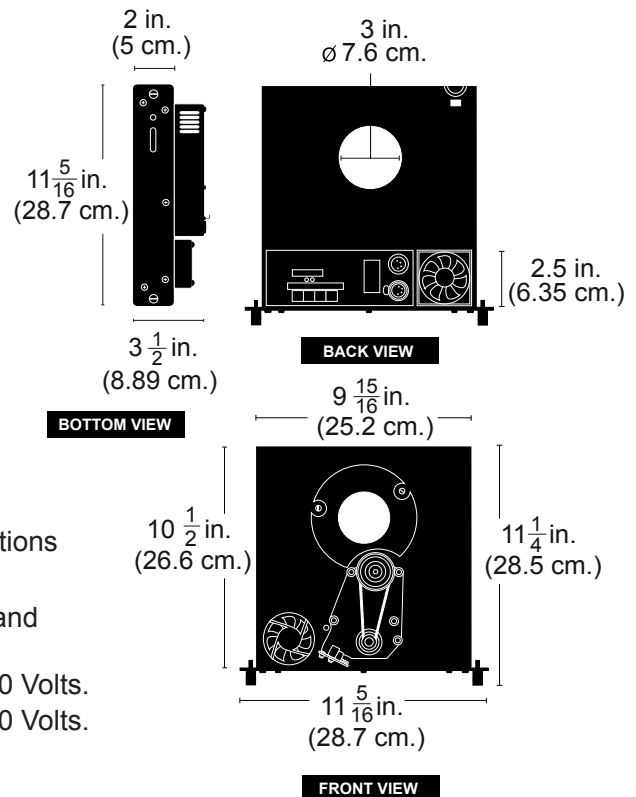
- TSPS-20** Dual power supply will operate from 90 to 230 Volts and can drive two units.
- TSPS-80** GamSpin DMX power supply operates eight units 120 Volts.
- TSPS-82** GamSpin DMX power supply operates eight units 220 Volts.



SX4[®] Disc Tray
 US Patent # 6,926,427
 August 9, 2005

Dimensions:

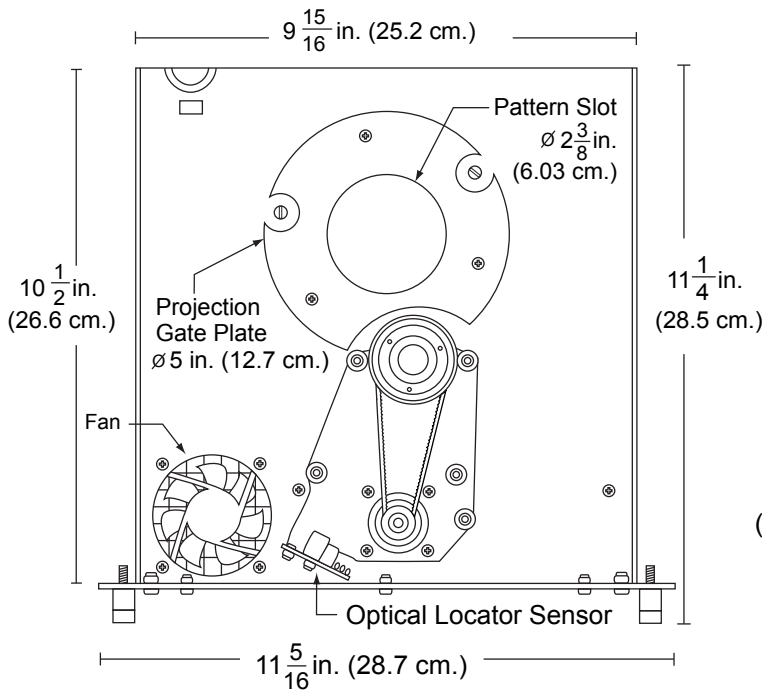
Width:	11-5/16 in. (28.7 cm.)
Height:	11-1/4 in. (28.5 cm.)
Deep:	3-1/2 in. (8.89 cm.)
Weight :	3 lbs.,5 oz. (1.44 kgs.)
With SX4 [®] Case:	9 lbs.,10 oz. (4.28 kgs.)
Finish:	Matte black paint
Power Draw:	.3 amp at 120v with our fixed 24VDC Transformer TSPS-20



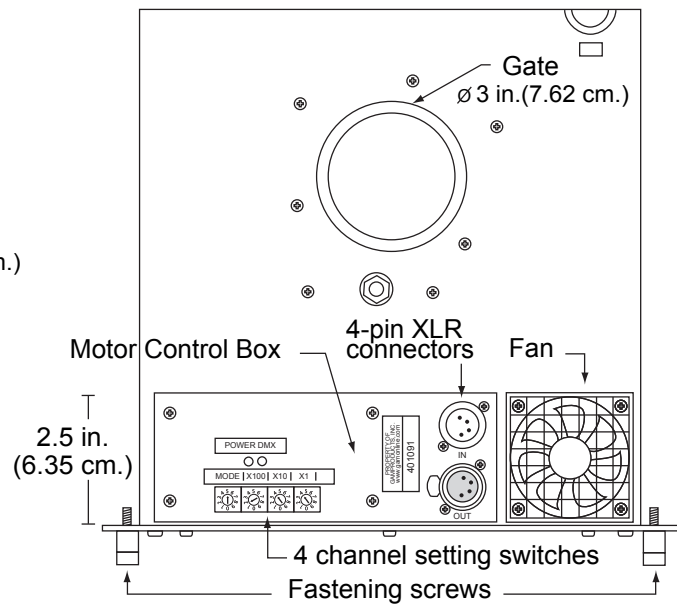
The frame for the SX4[®] Disc Tray shall be manufactured from .063 inch aluminum to minimize weight. The overall dimension shall be 11-5/16 inches wide at the bottom, 11-1/4 inches high, and 3-1/2 inches deep including the motor control box. Using a track belt the motor drives the disc effect which is an 8-1/2 inch diameter stainless steel pattern (separate item). The effect disc shall be secured to the drive shaft with three Allen head bolts sandwiched between two flat washer mounting plates. Optical sensor shall be mounted to read position of disc effects. Long life low voltage cooling fan shall be attached to the unit and shall operate with 24 Volts DC.

Power drive mounted to tray shall operate from the 24 Volt DC supplied by separate DMX controlled power supply. Motor drive shall be a 24 Volt DC stepping motor with electronic circuitry that will require a separate power supply (see "Options"). The motor drive shall be mounted in a steel case and will include the electronics and four rotary position switches for the 512 channel address and mode switch for option selection. Two 4-pin XLR connectors shall be panel mounted, a 4-pin male input and 4-pin female output for daisy chain applications. The disc tray can be controlled using a DMX signal from conventional light boards or it can use its onboard programmed sequences with various options selected by the mode switch. SX4[®] Disc Tray shall be manufactured by GAMPRODUCTS, INC. model no. TS-6120. (See Catalog numbers below for Options. See separate SX4[®] case specifications required).

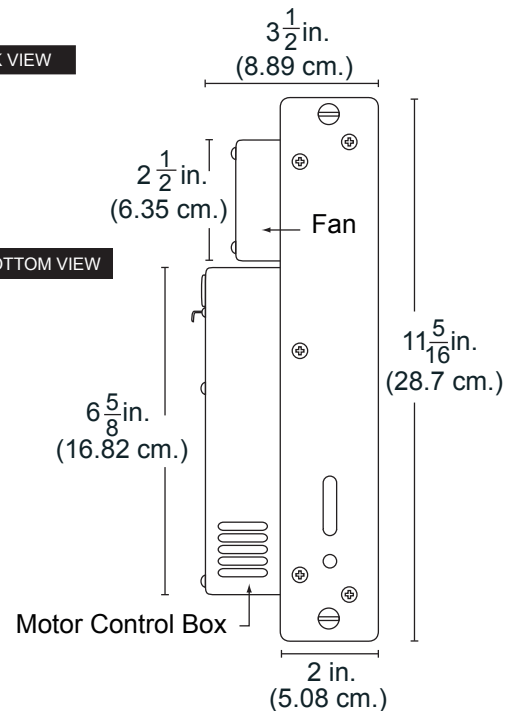
See catalog numbers below for options and separate SX4[®] Case specifications - required.



FRONT VIEW



BACK VIEW



BOTTOM VIEW

- | Item # | Description |
|---------------|--|
| TS6130 | SX4 [®] Disc Tray 120 Volt (With SX4 [®] case) |
| TS6132 | SX4 [®] Disc Tray 230 Volt (With SX4 [®] case) |
| TS6230 | SX4 [®] Disc Tray (no case) |
- Add FS to catalog number for shutters.
 Ex: SX4[®] with 230 Volt Disc Tray **TS6132FS**

Power supply is required in both stand alone and DMX operation.
 DMX cable and power cables supplied by others. Power supply options are as follows:

- TSPS-20** Dual power supply will operate from 90 to 230 Volts and can drive two units.
- TSPS-80** GamSpin DMX power supply operates eight units 120 Volts.
- TSPS-82** GamSpin DMX power supply operates eight units 220 Volts.