

SX4® SIX-GOBO TRAY SPECIFICATIONS **Catalog # TS6220**



SX4® Six-Gobo Tray
 US Patent # 6,926,427
 August 9, 2005

- Excellent choice for display, retail, theatrical or special event applications
- Slides into SX4® Case mounted in ETC Source Four™
- Over 800 patterns available off the shelf
- Custom or any 'M' size pattern
- Can be DMX operated or used with built-in preprogrammed sequences

Dimensions:

- Width: 11-5/16 in. (28.7 cm.)
- Height: 11-1/4 in. (28.5 cm.)
- Deep: 3-1/2 in. (8.89 cm.)
- Weight : 3 lbs.,5 oz. (1.44 kgs.)
- With SX4® Case: 9 lbs.,10 oz. (4.28 kgs.)
- Finish: Matte black paint
- Power Draw: .3 amp at 120v with our 24 VDC Transformer TSPS-20

The SX4® Six-Gobo Tray is designed to fit into the SX4® Case which is attached to an ETC Source Four™ fixed focus ellipsoidal spotlight (see SX4® Case Specifications).

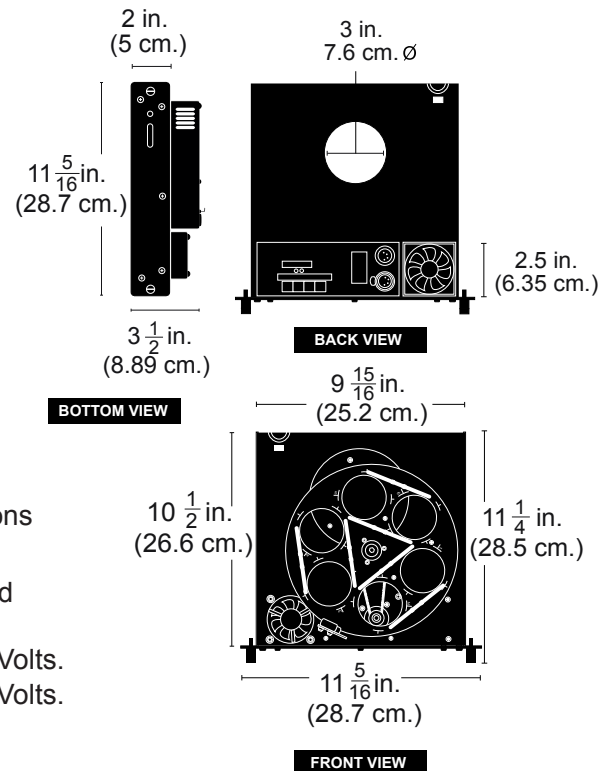
The SX4® has been used on Broadway, in operas, film and television production, special events, retail store displays and anywhere that a special lighting effect is required. It is reliable and efficient with easy to use features including built-in memory sequences that make the Six-Gobo Tray an ideal choice for multi-image projections.

Item #	Description
TS6120	SX4® Six-Gobo Tray 120 Volt (With SX4® case)
TS6122	SX4® Six-Gobo Tray 230 Volt (With SX4® case)
TS6220	SX4® Six-Gobo Tray (no case)

Add FS to catalog number for shutters.
 Ex: SX4® with 230 Volt Six-Gobo Tray **TS6142FS**

Power supply is required in both stand alone and DMX operation.
 DMX cable and power cables supplied by others. Power supply options are as follows:

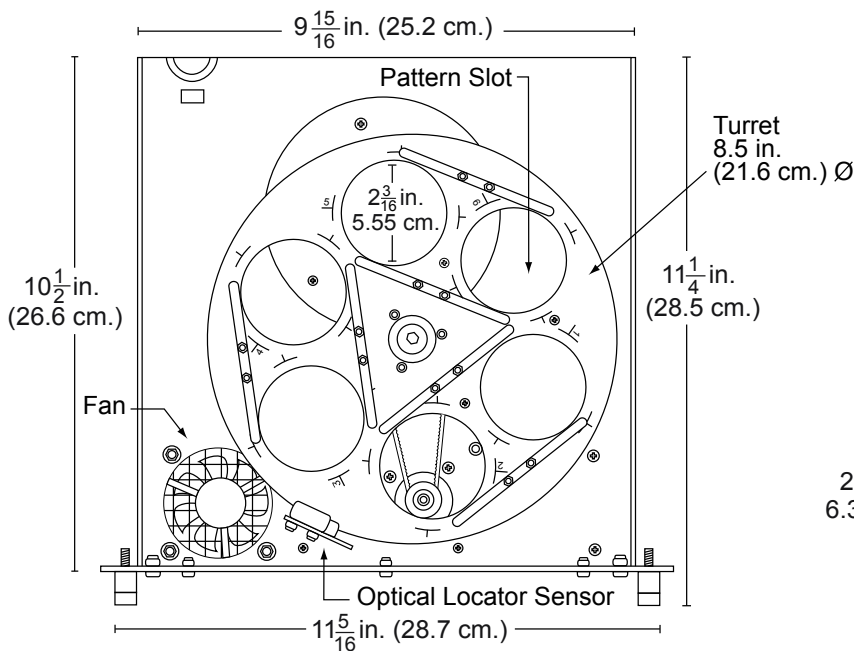
- TSPS-20** Dual power supply will operate from 90 to 230 Volts and can drive two units.
- TSPS-80** GamSpin DMX power supply operates eight units 120 Volts.
- TSPS-82** GamSpin DMX power supply operates eight units 220 Volts.



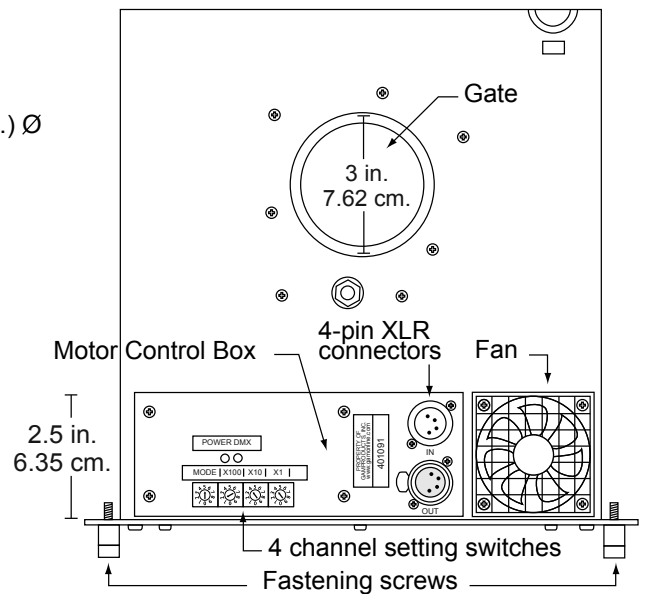
The Frame for the SX4®Six-Gobo Tray shall be manufactured from .063 inch (.16 cm.) aluminum to minimize weight. The overall dimensions shall be 11-5/16 inches (28.7 cm.) wide at the bottom, 11-1/4 inches (28.5 cm.) high, and 3-1/2 inches (8.89 cm.) deep including the motor control box. The track belt driven by the motor shall rotate the six-gobo turret, positioning the glass or steel patterns (separate item) in the appropriate alignment as selected. Six-gobo turret plate shall measure 8-1/2 inches (21.6 cm.) in diameter and be made from .09 inch (.22 cm.) thick aluminum. Six gobo slots shall be provided, each three inches in diameter. Glass or metal patterns shall be held in place by a spring loaded pressure and quick mounting rings that slide into four guide posts. Precise optical sensing points shall be provided for positioning of the gobos. The turret plate shall be secured to drive shaft with three Allen Head bolts. Optical sensor shall be positioned to read six-gobo turret position. Long-life, low-voltage, cooling fan shall be attached to unit.

Power drive mounted to tray shall operate from the 24 Volt DC supplied by separate DMX controlled power supply (see options below). Motor drive shall be a 24 Volt DC stepping motor with electronic circuitry. The Motor drive shall be mounted in steel case and will include the electronics and four rotary position switches for the 512 channel address and mode switch for option selection. Two 4-pin XLR connectors shall be panel mounted, a 4-pin male input and 4-pin female output, for daisy chain applications. The Six-Gobo Tray can be controlled using a DMX signal from conventional light boards or it can use its on-board program sequences with various options selected by the mode switch. SX4® Six-Gobo Tray shall be manufactured by GAMPRODUCTS, INC. Model No. **TS-6240**.

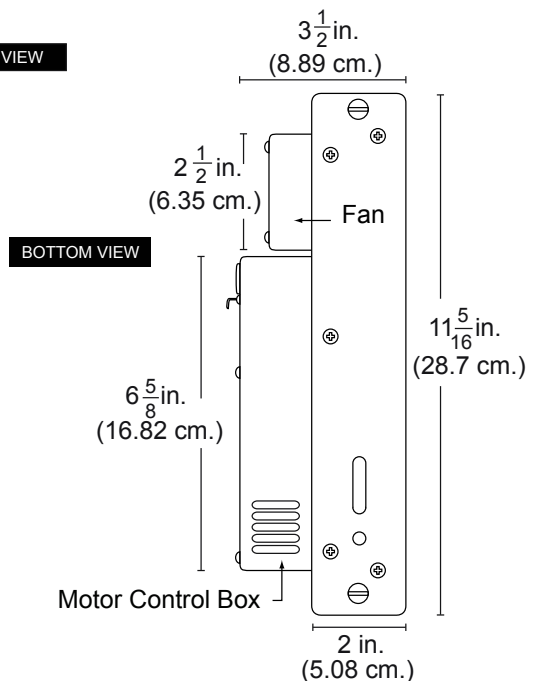
See catalog numbers below for options and separate SX4® Case specifications - required.



FRONT VIEW



BACK VIEW



BOTTOM VIEW

Item #	Description
TS6120	SX4® Six-Gobo Tray 120 Volt (With SX4® case)
TS6122	SX4® Six-Gobo Tray 230 Volt (With SX4® case)
TS6220	SX4® Six-Gobo Tray (no case)

Add FS to catalog number for shutters.

Ex: SX4® with 230 Volt Six-Gobo Tray **TS6142FS**

Power supply is required in both stand alone and DMX operation.

DMX cable and power cables by others. Power supply options are as follows:

- TSPS-20** Dual power supply will operate from 90 to 230 Volts and can drive two units.
- TSPS-80** GamSpin DMX power supply operates eight units 120 Volts.
- TSPS-82** GamSpin DMX power supply operates eight units 220 Volts.